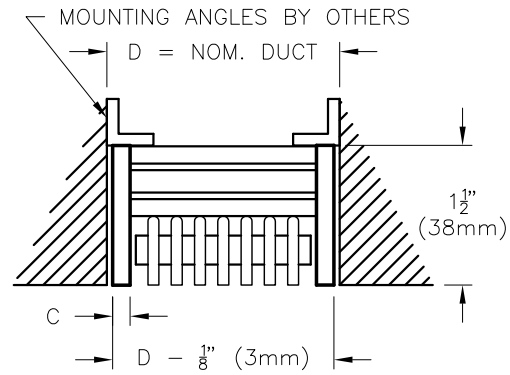
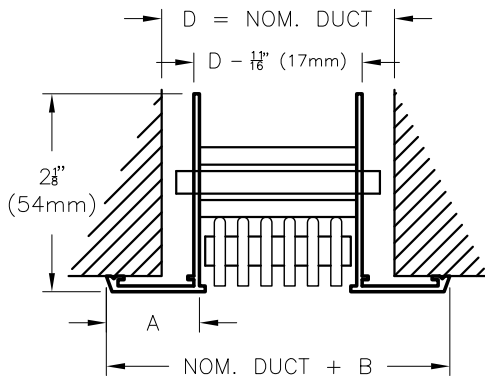
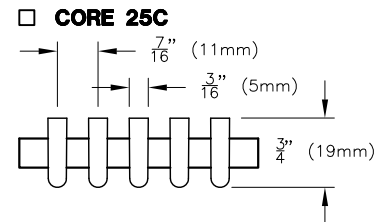
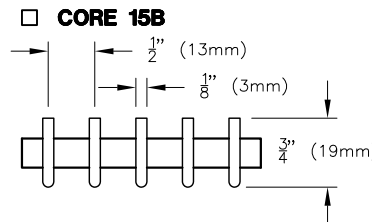
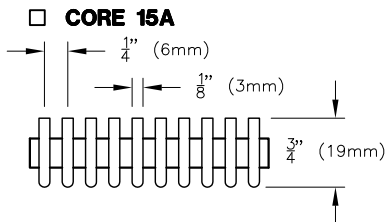


LBM - CURVED LINEAR BAR GRILLES (MANDREL TUBE)



FRAME	A	B
□ 500	1/2" (13mm)	3/16" (5mm)
□ 750	3/4" (19mm)	11/16" (17mm)
□ 1000	1" (25mm)	13/16" (30mm)

FRAME	C
□ 125	1/8" (3mm)
□ 187	3/16" (5mm)



CONSTRUCTION

- EXTRUDED ALUMINUM
- REMOVABLE CORE
- 12" (305mm) MAXIMUM MANDREL TUBE SPACING

NOTES:

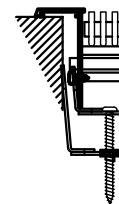
- MINIMUM NOM. DUCT WIDTH = 2" (51mm)
- MAXIMUM NOM. DUCT WIDTH IN SINGLE GRILLE = 24" (610mm)
- MINIMUM OPENING LENGTH = 18" (457mm)
- MAXIMUM SECTION LENGTH = 72" (1829mm)
- FLOOR APPLICATIONS MAY REQUIRE ADDITIONAL STRUCTURAL SUPPORT (DESIGNED AND SUPPLIED BY OTHERS)
- FACTORY TOLERANCE ± 1/32 (1mm) PER SECTION

FINISH

- B12 WHITE (OPTIONAL FINISHES AVAILABLE)
- #66 BRUSHED FINISH NOT AVAILABLE

FASTENING

- TYPE 0 - NO FASTENING SUPPLIED
- TYPE C - CONCEALED MOUNTING



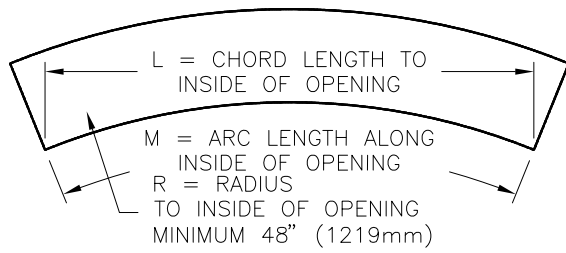
ALL METRIC DIMENSIONS () ARE SOFT CONVERTED. IMPERIAL DIMENSIONS ARE CONVERTED TO METRIC AND ROUNDED TO THE NEAREST MILLIMETER.

PROJECT:		PRICE®	
ENGINEER:		<i>MG</i>	LBM CURVED LINEAR BAR GRILLE HEAVIER DUTY FRAME
CUSTOMER:			
SUBMITTAL DATE:	SPEC. SYMBOL:	2018/10/02	REV C

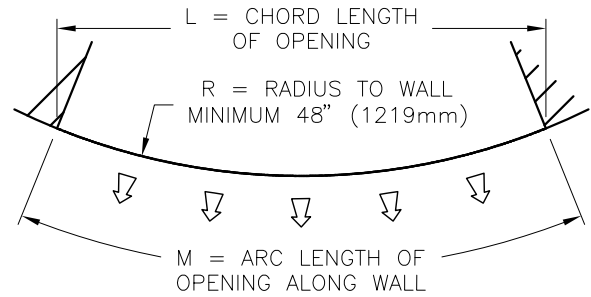
LBM - CURVED LINEAR BAR GRILLES (MANDREL TUBE)

FLAT FACE

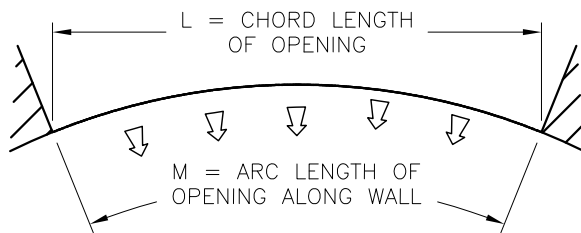
DUCT OPENING DETAIL:



CONVEX FACE



CONCAVE FACE



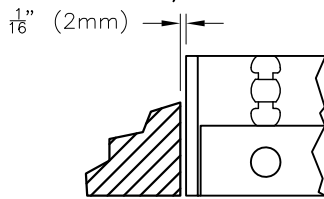
D = NOM. DUCT WIDTH	R = RADIUS	<input type="checkbox"/> L = CHORD LENGTH - OR - <input type="checkbox"/> M = ARC LENGTH

END CONDITIONS:

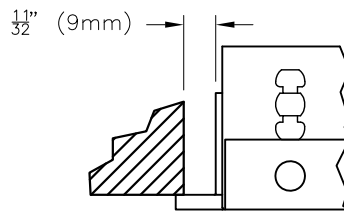
- WW - FLANGED BOTH ENDS
- WY - FLANGED ONE END, OPEN ONE END
- YY - OPEN BOTH ENDS

W END DETAILS:

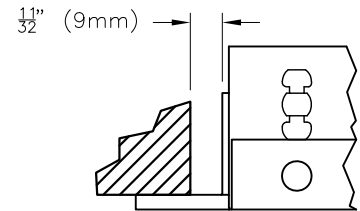
FOR 125 / 187 FRAMES:



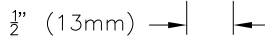
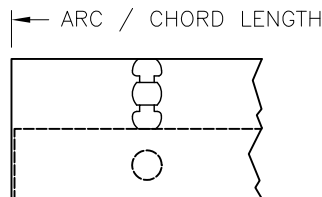
FOR 500 FRAME:



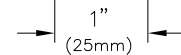
FOR 750 / 1000 FRAMES:



Y END DETAIL (ALL FRAMES):



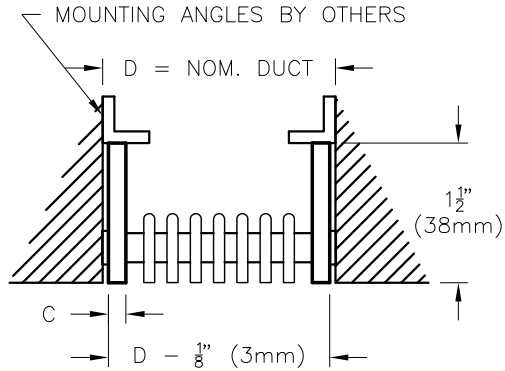
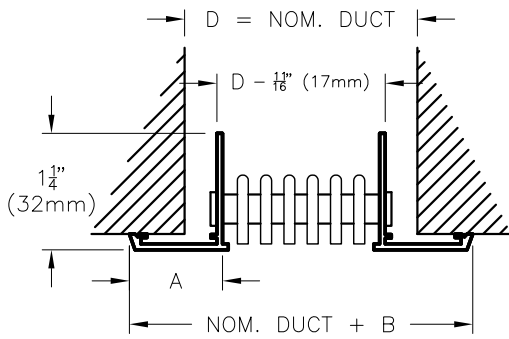
Y ENDS FOR SPLICING TOGETHER MULTIPLE SECTIONS



ALL METRIC DIMENSIONS () ARE SOFT CONVERTED. IMPERIAL DIMENSIONS ARE CONVERTED TO METRIC AND ROUNDED TO THE NEAREST MILLIMETER.

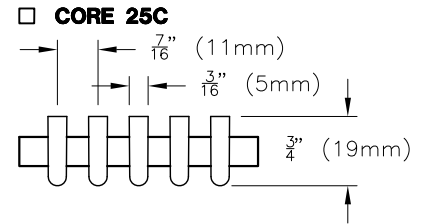
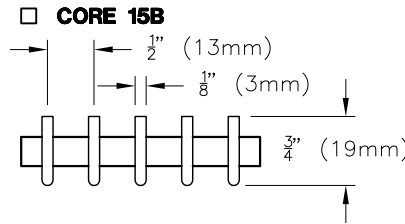
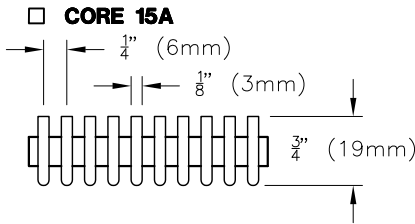
PROJECT:		PRICE®	
ENGINEER:			LBM CURVED LINEAR BAR GRILLE HEAVIER DUTY FRAME
CUSTOMER:		246795	
SUBMITTAL DATE:	SPEC. SYMBOL:	2018/10/02	

LBM - CURVED LINEAR BAR GRILLES (MANDREL TUBE)



FRAME	A	B
□ 500	1/2" (13mm)	3/16" (5mm)
□ 750	3/4" (19mm)	11/16" (17mm)
□ 1000	1" (25mm)	13/16" (30mm)

FRAME	C
□ 125	1/8" (3mm)
□ 187	3/16" (5mm)



CONSTRUCTION

- EXTRUDED ALUMINUM
- FIXED CORE
- 12" (305mm) MAXIMUM MANDREL TUBE SPACING

NOTES:

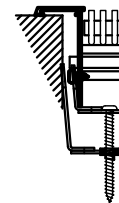
- MINIMUM NOM. DUCT WIDTH = 2" (51mm)
- MAXIMUM NOM. DUCT WIDTH IN SINGLE GRILLE = 24" (610mm)
- MINIMUM OPENING LENGTH = 18" (457mm)
- MAXIMUM SECTION LENGTH = 72" (1829mm)
- NOT RECOMMENDED FOR FLOOR APPLICATIONS
- FACTORY TOLERANCE ± 1/32 (1mm) PER SECTION

FINISH

- B12 WHITE (OPTIONAL FINISHES AVAILABLE)
- #66 BRUSHED FINISH NOT AVAILABLE

FASTENING

- TYPE 0 - NO FASTENING SUPPLIED
- TYPE C - CONCEALED MOUNTING (NOT AVAILABLE WITH 15A & 25C CORES)



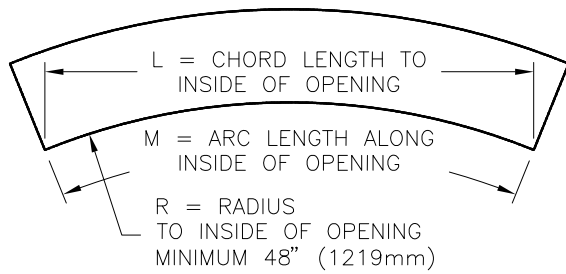
ALL METRIC DIMENSIONS () ARE SOFT CONVERTED. IMPERIAL DIMENSIONS ARE CONVERTED TO METRIC AND ROUNDED TO THE NEAREST MILLIMETER.

PROJECT:		PRICE®	
ENGINEER:			
CUSTOMER:		250211	LBM CURVED LINEAR BAR GRILLE LIGHTER DUTY FRAME
SUBMITTAL DATE:	SPEC. SYMBOL:	2018/10/02	

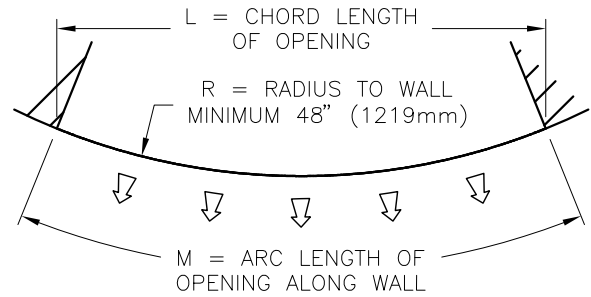
LBM - CURVED LINEAR BAR GRILLES (MANDREL TUBE)

FLAT FACE

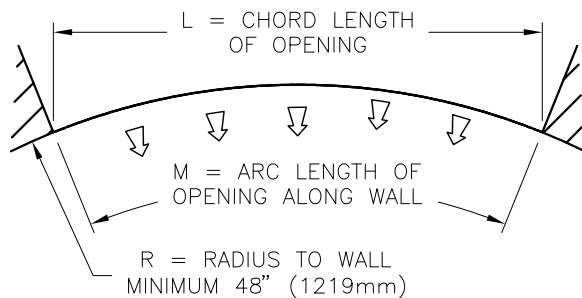
DUCT OPENING DETAIL:



CONVEX FACE



CONCAVE FACE



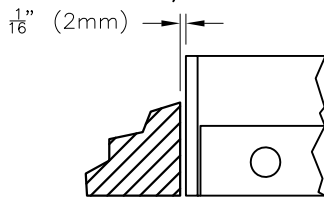
D = NOM. DUCT WIDTH	R = RADIUS	<input type="checkbox"/> L = CHORD LENGTH - OR - <input type="checkbox"/> M = ARC LENGTH

END CONDITIONS:

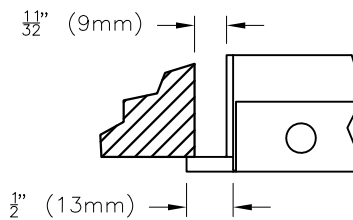
- WW - FLANGED BOTH ENDS
- WY - FLANGED ONE END, OPEN ONE END
- YY - OPEN BOTH ENDS

W END DETAILS:

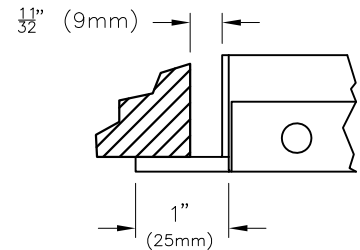
FOR 125 / 187 FRAMES:



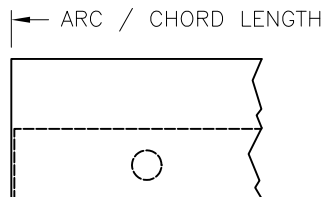
FOR 500 FRAME:



FOR 750 / 1000 FRAMES:



Y END DETAIL (ALL FRAMES):

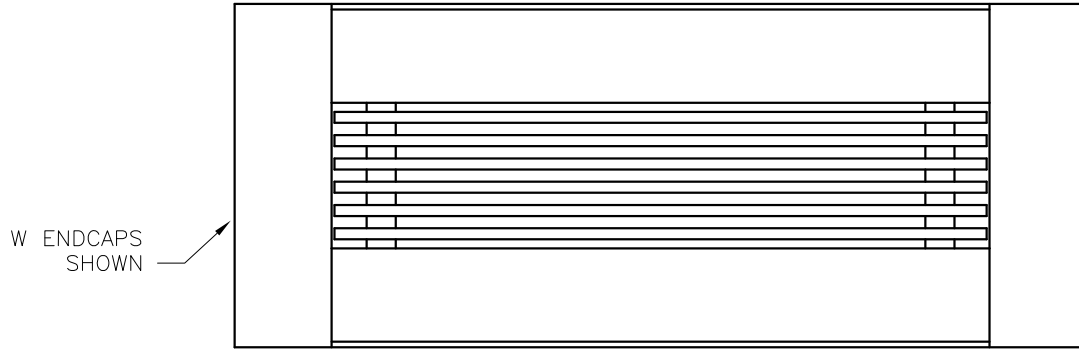


Y ENDS FOR SPLICING TOGETHER MULTIPLE SECTIONS

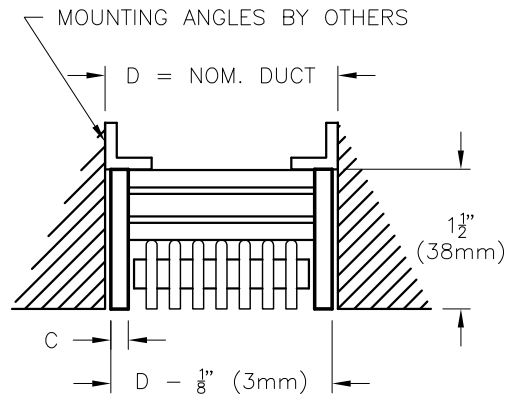
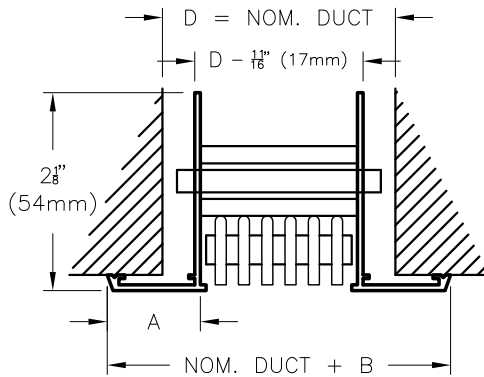
ALL METRIC DIMENSIONS () ARE SOFT CONVERTED. IMPERIAL DIMENSIONS ARE CONVERTED TO METRIC AND ROUNDED TO THE NEAREST MILLIMETER.

PROJECT:		PRICE®	
ENGINEER:		<i>MG</i>	LBM CURVED LINEAR BAR GRILLE LIGHTER DUTY FRAME
CUSTOMER:		250211	
SUBMITTAL DATE:	SPEC. SYMBOL:	2018/10/02	

LBM - LINEAR BAR GRILLES (MANDREL TUBE)



AVAILABLE FRAME STYLES:



FRAME	A	B
□ 500	1/2" (13mm)	3/16" (5mm)
□ 750	3/4" (19mm)	1 1/16" (17mm)
□ 1000	1" (25mm)	1 3/16" (30mm)

FRAME	C
□ 125	1/8" (3mm)
□ 187	3/16" (5mm)

FINISH:

- B12 WHITE (OPTIONAL FINISHES AVAILABLE)
- #66 BRUSHED FINISH NOT AVAILABLE

NOTES:

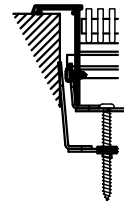
- MINIMUM NOM. DUCT WIDTH = 2" (51mm)
- MAXIMUM NOM. DUCT WIDTH IN SINGLE GRILLE = 24" (610mm).
- MINIMUM OPENING LENGTH = 18" (457mm)
- MAXIMUM SECTION LENGTH = 72" (1829mm)
- FLOOR APPLICATIONS MAY REQUIRE ADDITIONAL STRUCTURAL SUPPORT (DESIGNED AND SUPPLIED BY OTHERS)
- FACTORY TOLERANCE ± 1/32 (1mm) PER SECTION

CONSTRUCTION:

- EXTRUDED ALUMINUM
- REMOVABLE CORE
- 12" (305mm) MAXIMUM MANDREL TUBE SPACING
- CORE BARS PARALLEL TO LONG DIMENSION

FASTENING OPTIONS:

- TYPE 0 - NO FASTENING SUPPLIED
- TYPE C - CONCEALED MOUNTING BRACKETS (ALL FRAMES)

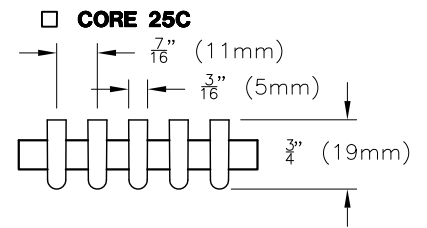
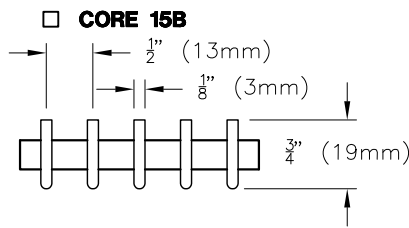
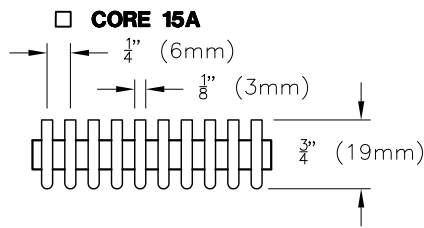


ALL METRIC DIMENSIONS () ARE SOFT CONVERTED. IMPERIAL DIMENSIONS ARE CONVERTED TO METRIC AND ROUNDED TO THE NEAREST MILLIMETER.

PROJECT:		PRICE®	
ENGINEER:		<i>MG</i>	LBM STRAIGHT SECTION LINEAR BAR GRILLE HEAVIER DUTY FRAME
CUSTOMER:		250217	
SUBMITTAL DATE:	SPEC. SYMBOL:	2018/10/02	

LBM - LINEAR BAR GRILLES (MANDREL TUBE)

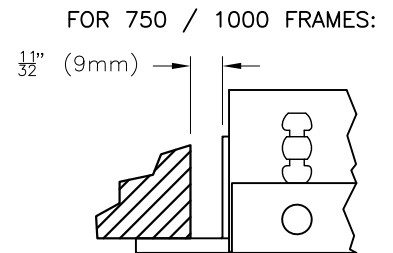
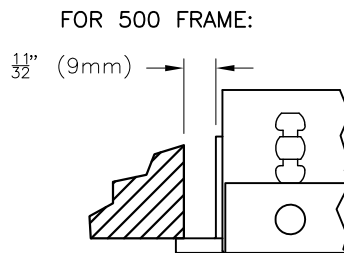
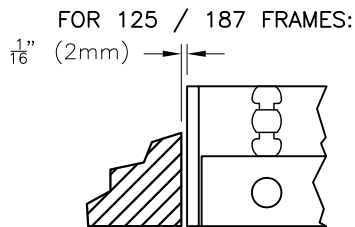
CORE STYLES:



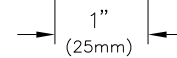
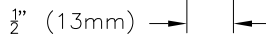
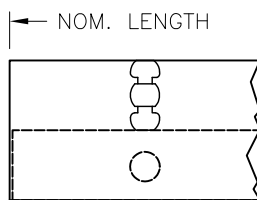
END CONDITIONS:

- WW - FLANGED BOTH ENDS
- WY - FLANGED ONE END, OPEN ONE END
- YY - OPEN BOTH ENDS

W END DETAILS:



Y END DETAIL (ALL FRAMES):

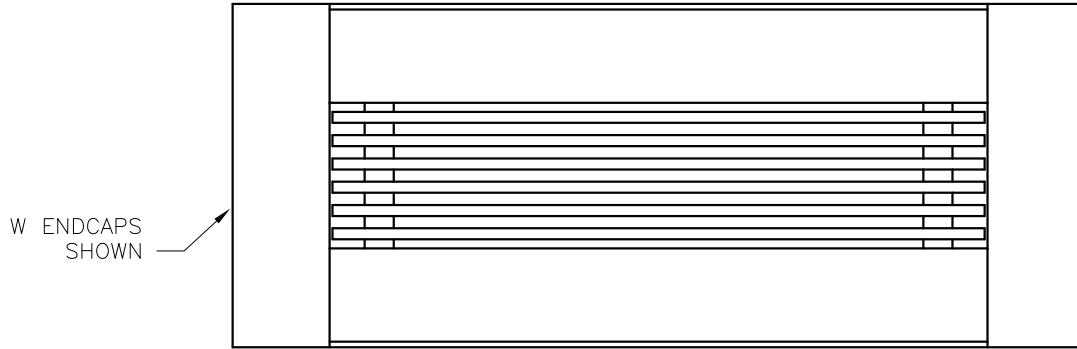


Y ENDS FOR SPLICING TOGETHER MULTIPLE SECTIONS

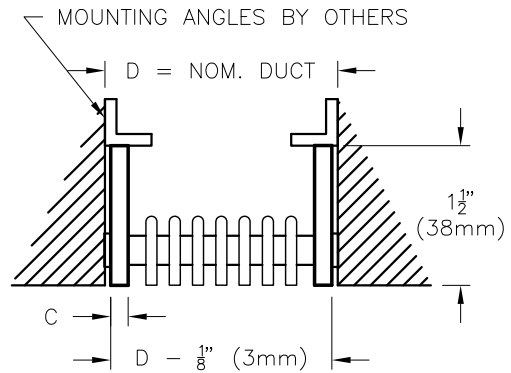
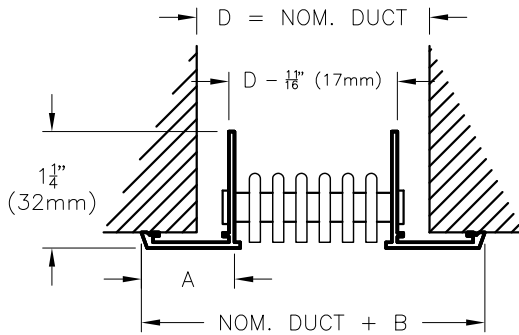
ALL METRIC DIMENSIONS () ARE SOFT CONVERTED. IMPERIAL DIMENSIONS ARE CONVERTED TO METRIC AND ROUNDED TO THE NEAREST MILLIMETER.

PROJECT:		PRICE [®]	
ENGINEER:		<i>MG</i>	LBM STRAIGHT SECTION LINEAR BAR GRILLE HEAVIER DUTY FRAME
CUSTOMER:		250217	
SUBMITTAL DATE:	SPEC. SYMBOL:	2018/10/02	

LBM - LINEAR BAR GRILLES (MANDREL TUBE)



AVAILABLE FRAME STYLES:



FRAME	A	B
<input type="checkbox"/> 500	1/2" (13mm)	3/16" (5mm)
<input type="checkbox"/> 750	3/4" (19mm)	1 1/16" (17mm)
<input type="checkbox"/> 1000	1" (25mm)	1 3/16" (30mm)

FRAME	C
<input type="checkbox"/> 125	1/8" (3mm)
<input type="checkbox"/> 187	3/16" (5mm)

FINISH:

- B12 WHITE (OPTIONAL FINISHES AVAILABLE)
- #66 BRUSHED FINISH NOT AVAILABLE

NOTES:

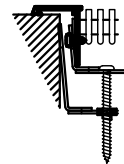
- MINIMUM NOM. DUCT WIDTH = 2" (51mm)
- MAXIMUM NOM. DUCT WIDTH IN SINGLE GRILLE = 24" (610mm)
- MINIMUM OPENING LENGTH = 18" (457mm)
- MAXIMUM SECTION LENGTH = 72" (1829mm)
- NOT RECOMMENDED FOR FLOOR APPLICATIONS APPLICATIONS
- FACTORY TOLERANCE $\pm 1/32$ (1mm) PER SECTION

CONSTRUCTION:

- EXTRUDED ALUMINUM
- FIXED CORE
- 12" (305mm) MAXIMUM MANDREL TUBE SPACING
- CORE BARS PARALLEL TO LONG DIMENSION

FASTENING OPTIONS:

- TYPE O - NO FASTENING SUPPLIED
- TYPE C - CONCEALED MOUNTING BRACKETS (NOT AVAILABLE WITH 15A & 25C CORES)

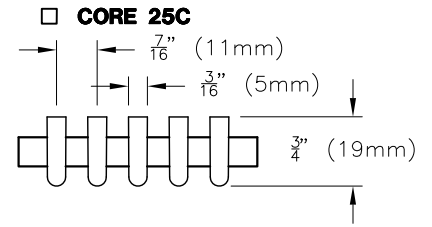
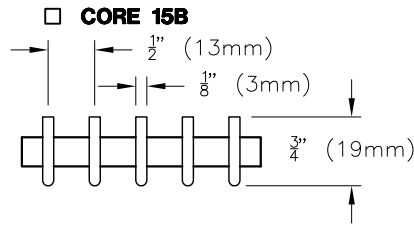
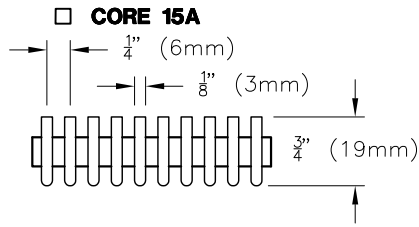


ALL METRIC DIMENSIONS () ARE SOFT CONVERTED. IMPERIAL DIMENSIONS ARE CONVERTED TO METRIC AND ROUNDED TO THE NEAREST MILLIMETER.

PROJECT:		PRICE®	
ENGINEER:		<i>mg</i>	LBM STRAIGHT SECTION LINEAR BAR GRILLE LIGHTER DUTY FRAME
CUSTOMER:		250218	
SUBMITTAL DATE:	SPEC. SYMBOL:	2018/10/02	

LBM - LINEAR BAR GRILLES (MANDREL TUBE)

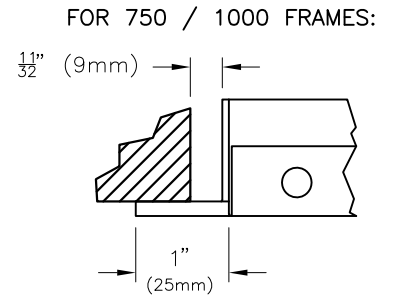
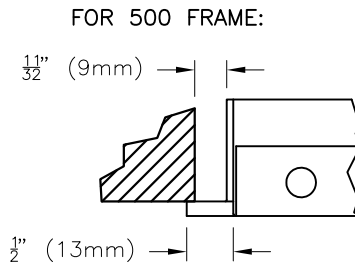
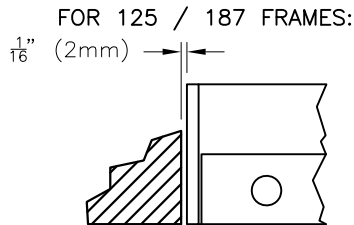
CORE STYLES:



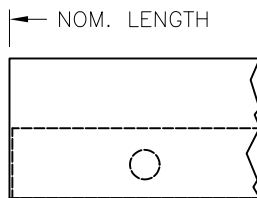
END CONDITIONS:

- WW - FLANGED BOTH ENDS
- WY - FLANGED ONE END, OPEN ONE END
- YY - OPEN BOTH ENDS

W END DETAILS:



Y END DETAIL (ALL FRAMES):



Y ENDS FOR SPLICING TOGETHER MULTIPLE SECTIONS

ALL METRIC DIMENSIONS () ARE SOFT CONVERTED. IMPERIAL DIMENSIONS ARE CONVERTED TO METRIC AND ROUNDED TO THE NEAREST MILLIMETER.

PROJECT:		PRICE®	
ENGINEER:		<i>mg</i>	LBM STRAIGHT SECTION LINEAR BAR GRILLE LIGHTER DUTY FRAME
CUSTOMER:			
SUBMITTAL DATE:	SPEC. SYMBOL:	2018/10/02	